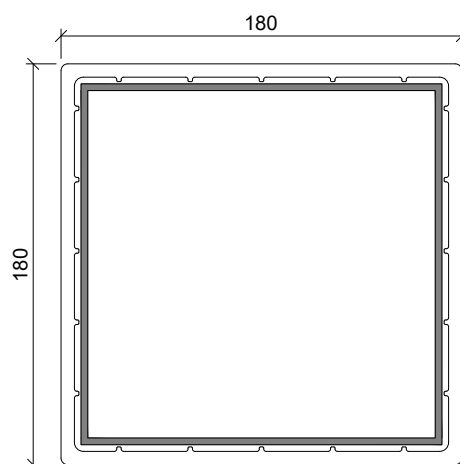


# TZ180180



profile	code	reinforcement dimensions [mm]	side [mm]	maximum horizontal span [mm]	maximum vertical span [mm]
				aluminum	aluminum
TZ180180	TZ180180	163 x 163 x 3	180	5600	8200

Maximum spans calculated considering:

- maximum permanent deformation due to own weight 2,5 mm
- maximum non-permanent deformation 30 mm considering a standard wind load of 150 kg/m<sup>2</sup>
- aluminum reinforcement standard thickness 3 mm, with greater thicknesses it is possible to reach greater spans