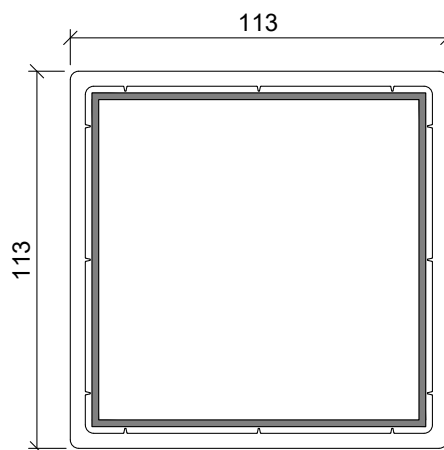


TZ113113



profile	code	reinforcement dimensions [mm]	side [mm]	maximum horizontal span [mm]	maximum vertical span [mm]
				aluminum	aluminum
TZ113113	TZ113113	100 x 100 x 2	113	4100	5700

Maximum spans calculated considering:

- maximum permanent deformation due to own weight 2,5 mm
- maximum non-permanent deformation 30 mm considering a standard wind load of 150 kg/m²
- aluminum reinforcement standard thickness 2 mm, with greater thicknesses it is possible to reach greater spans