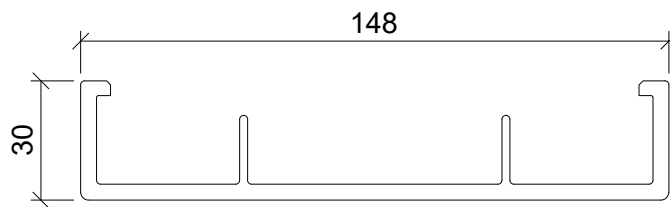
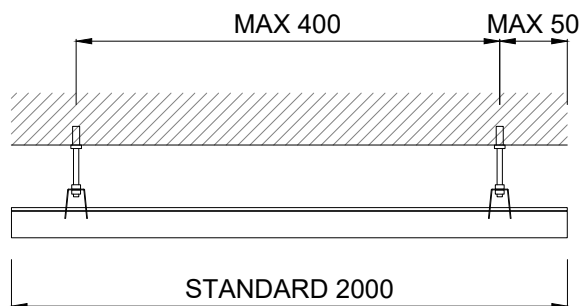
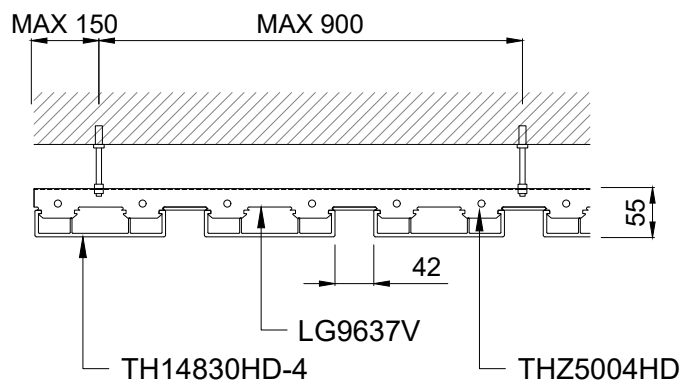


# TH14830HD-4 - indoor ceiling/outdoor soffit



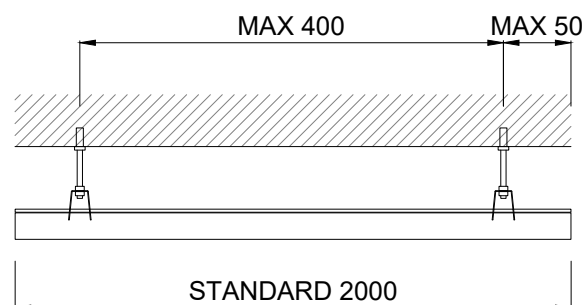
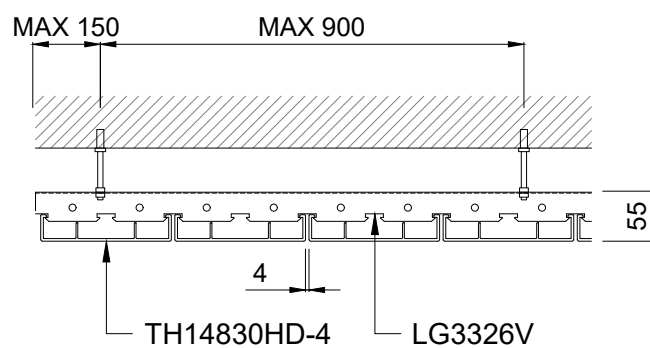
## MOUNTING SYSTEM

JOINT 40 mm



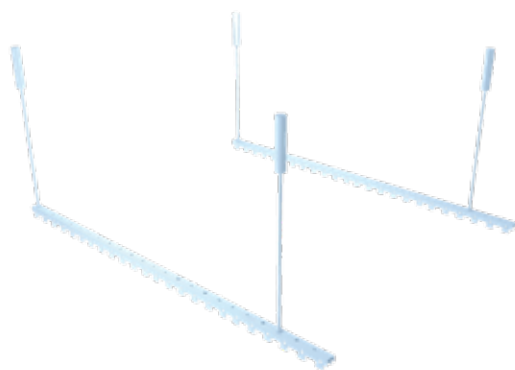
WEIGHT OF THE SYSTEM (without THZ5004HD)  $\approx$  7.70 kg/sqm  
 WEIGHT OF THE SYSTEM (with THZ5004HD)  $\approx$  9.25 kg/sqm  
 • Measures in millimeters

JOINT 4 mm

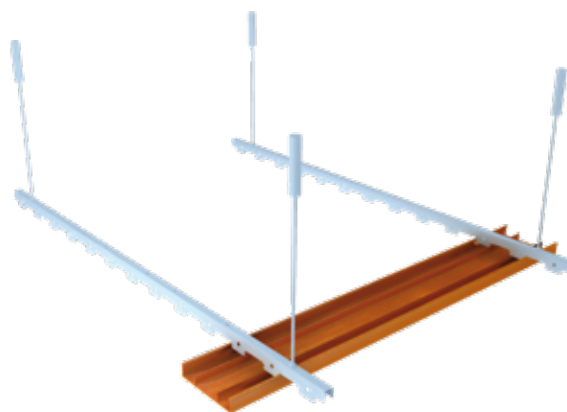


WEIGHT OF THE SYSTEM (joint 4 mm)  $\approx$  9.00 kg/sqm

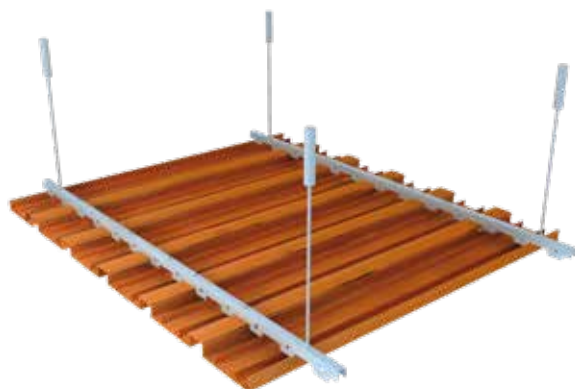
# ASSEMBLY INSTRUCTIONS



1. Fix the ZSSW-LG9637V or ZSSW-LG3326V bars directly to the ceiling using screws and wall plugs suitable for the type of support, or lower the structure with suitable hangers. The structure must be perfectly aligned







2. Install the first TH14830HD-4 profile, fitting the planks to the substructure, alternating them with the THZ5004HD profiles if applicable.



3. Complete the work by repeating the steps described in 2.

NOTE: Hangers, screws and wall plugs not included. For outdoor installation, the perimeter of the ceiling must be closed on all sides.

## SYSTEM COMPONENTS

Profile TH14830HD-4		5.40 m/sqm (joint 40 mm) 6.60 m/sqm (joint 4 mm)	Substructure profile ZSSW-LG9637V joint 40 mm		3.90 m/sqm (stacked bond) 4.60 m/sqm (running bond)
Accessory closing piece THZ5004HD		5.40 m/sqm (joint 40 mm)	Substructure profile ZSSW-LG3326V joint 4 mm		3.90 m/sqm (stacked bond) 4.60 m/sqm (running bond)

WARNING: the incidences of accessory material indicated refer to application according to the European standards, which provides for planks 2000 mm long and slats/substructure with maximum distance o.c. up to 400 mm. For any installation that differs from the standard a cutting plan must be designed; it shall calculate precisely the number of points of intersection between the planks and the substructure, allowing the correct identification of the number of clips and screws required for each type of application.